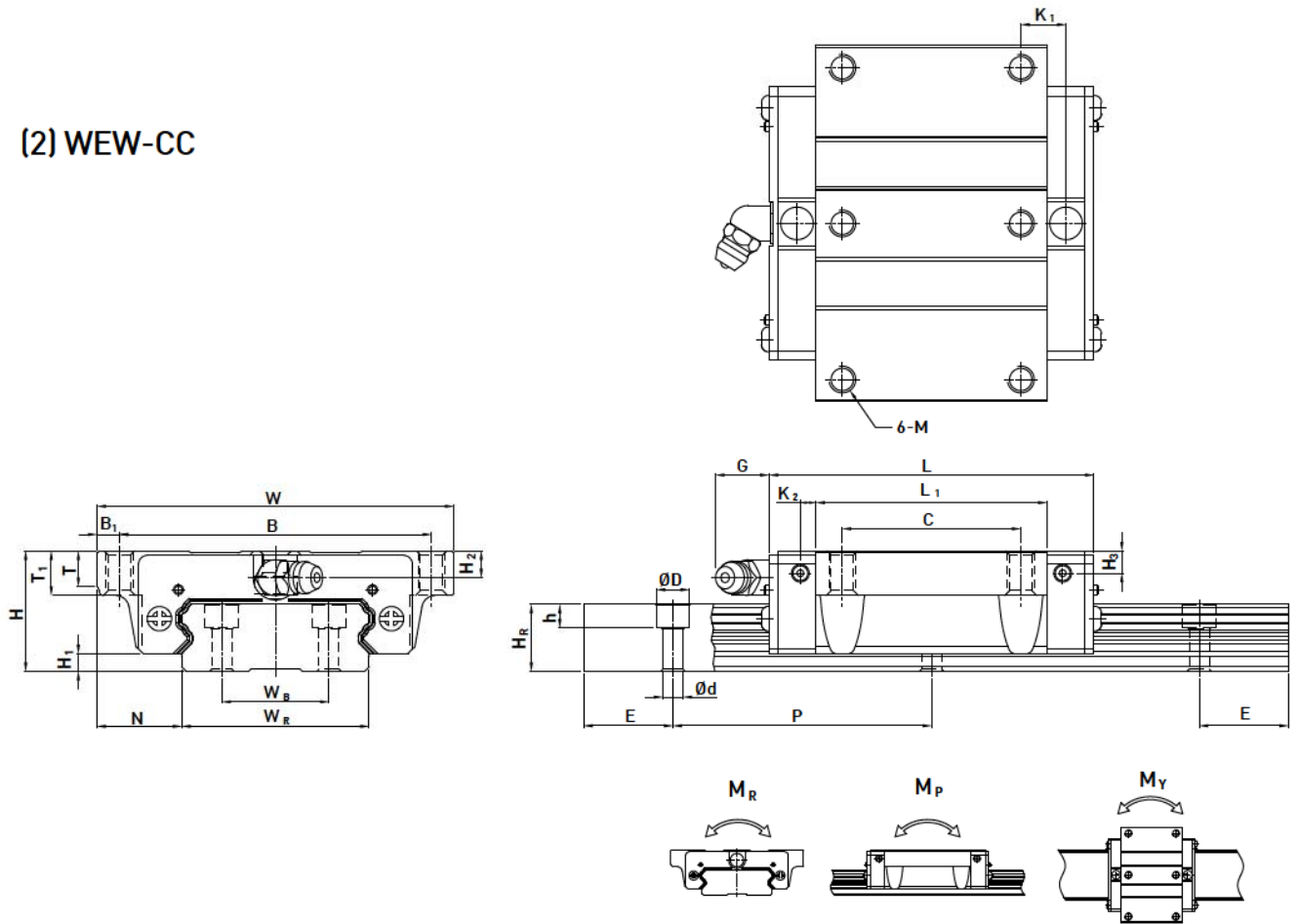


(2) WEW-CC



| Model No. | Dimensions of Assembly (mm) |                |      | Dimensions of Block (mm) |     |                |    |                |       |                |                |     |    |      | Dimensions of Rail (mm) |                |                |                |                |                | Mounting Bolt for Rail (mm) | Basic Dynamic Load Rating C (kN) | Basic Static Load Rating C <sub>0</sub> (kN) | Static Rated Moment |    |       | Weight |      |                       |                       |                       |            |             |
|-----------|-----------------------------|----------------|------|--------------------------|-----|----------------|----|----------------|-------|----------------|----------------|-----|----|------|-------------------------|----------------|----------------|----------------|----------------|----------------|-----------------------------|----------------------------------|--|---------------------|----|-------|--------|------|-----------------------|-----------------------|-----------------------|------------|-------------|
|           | H                           | H <sub>1</sub> | N    | W                        | B   | B <sub>1</sub> | C  | L <sub>1</sub> | L     | K <sub>1</sub> | K <sub>2</sub> | G   | M  | T    | T <sub>1</sub>          | H <sub>2</sub> | H <sub>3</sub> | W <sub>R</sub> | W <sub>B</sub> | H <sub>R</sub> |                             |                                  |  | D                   | h  | d     | P      | E    | M <sub>R</sub> (kN-m) | M <sub>P</sub> (kN-m) | M <sub>Y</sub> (kN-m) | Block (kg) | Rail (kg/m) |
| WEW17CC   | 17                          | 2.5            | 13.5 | 60                       | 53  | 3.5            | 26 | 35             | 50.6  | -              | 3.1            | 4.9 | M4 | 5.3  | 6                       | 4              | 3              | 33             | 18             | 9.3            | 7.5                         | 5.3                              | 4.5  | 40                  | 20 | M4x12 | 5.23   | 9.64 | 0.15                  | 0.062                 | 0.062                 | 0.13       | 2.2         |
| WEW21CC   | 21                          | 3              | 15.5 | 68                       | 60  | 4              | 29 | 41.7           | 59    | 9.68           | 3.65           | 12  | M5 | 7.3  | 8                       | 4.5            | 4.2            | 37             | 22             | 11             | 7.5                         | 5.3                              | 4.5  | 50                  | 25 | M4x12 | 7.21   | 13.7 | 0.23                  | 0.1                   | 0.1                   | 0.23       | 3           |
| WEW27CC   | 27                          | 4              | 19   | 80                       | 70  | 5              | 40 | 51.8           | 72.8  | 10.15          | 3.5            | 12  | M6 | 8    | 10                      | 6              | 5              | 42             | 24             | 15             | 7.5                         | 5.3                              | 4.5  | 60                  | 20 | M4x16 | 12.4   | 21.6 | 0.42                  | 0.17                  | 0.17                  | 0.43       | 4.7         |
| WEW35CC   | 35                          | 4              | 25.5 | 120                      | 107 | 6.5            | 60 | 77.6           | 102.6 | 13.35          | 5.25           | 12  | M8 | 11.2 | 14                      | 8              | 6.5            | 69             | 40             | 19             | 11                          | 9                                | 7  | 80                  | 20 | M6x20 | 29.8   | 49.4 | 1.48                  | 0.67                  | 0.67                  | 1.26       | 9.7         |

Note : 1 kgf = 9.81 N